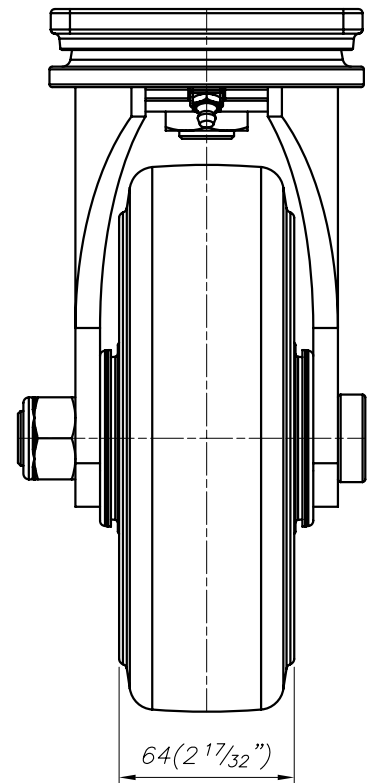
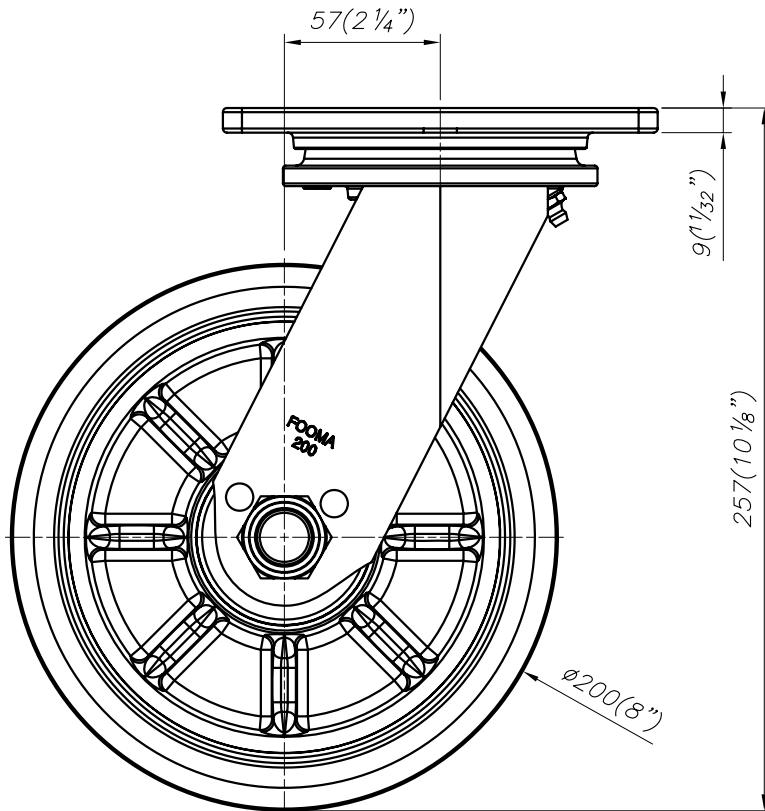
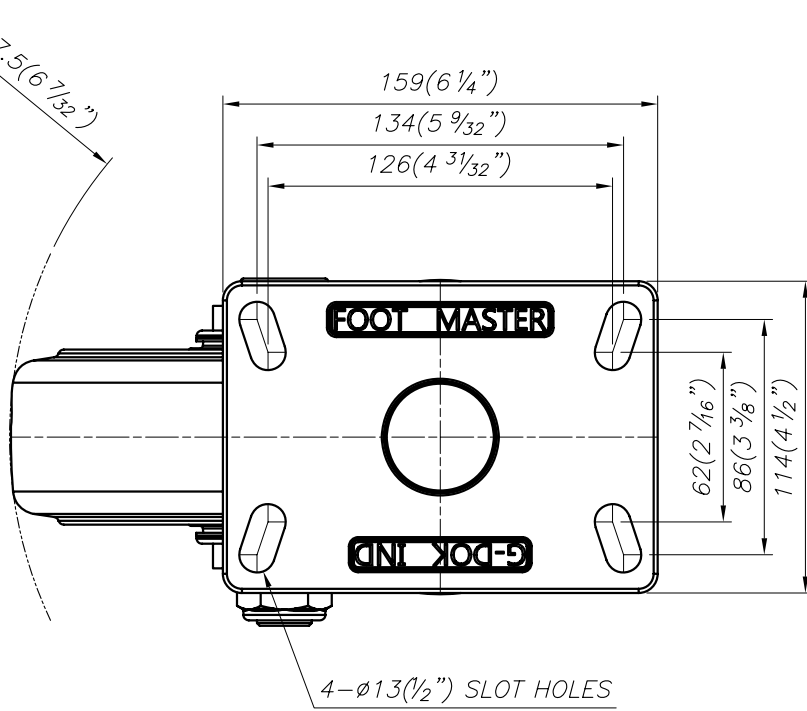


FOOT MASTER

G-DOK IND.

FOOT MASTER

G-DOK IND.



FOOT MASTER®

FOOMA®

G-DOK IND.

MODEL NAME

GF-200-ASF-MUD

A

B

C

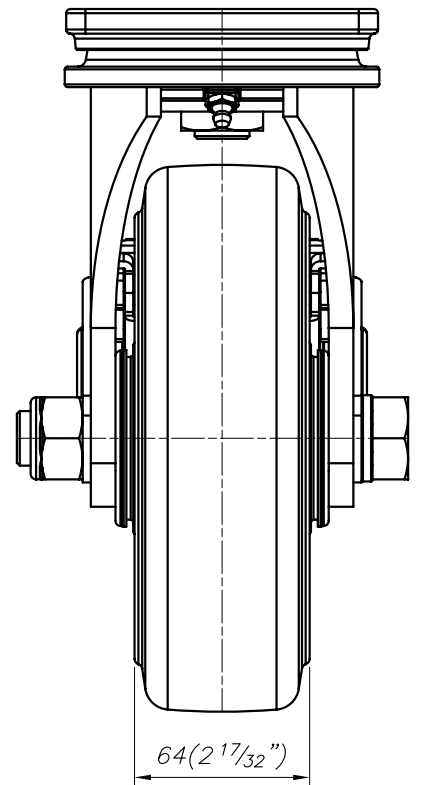
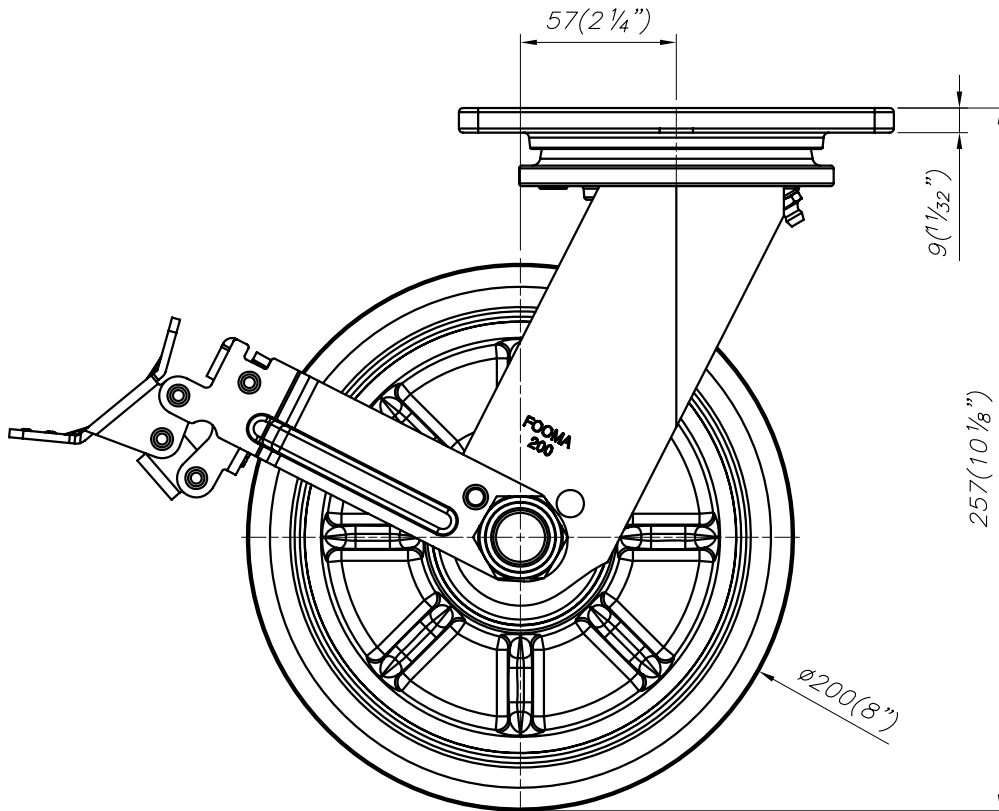
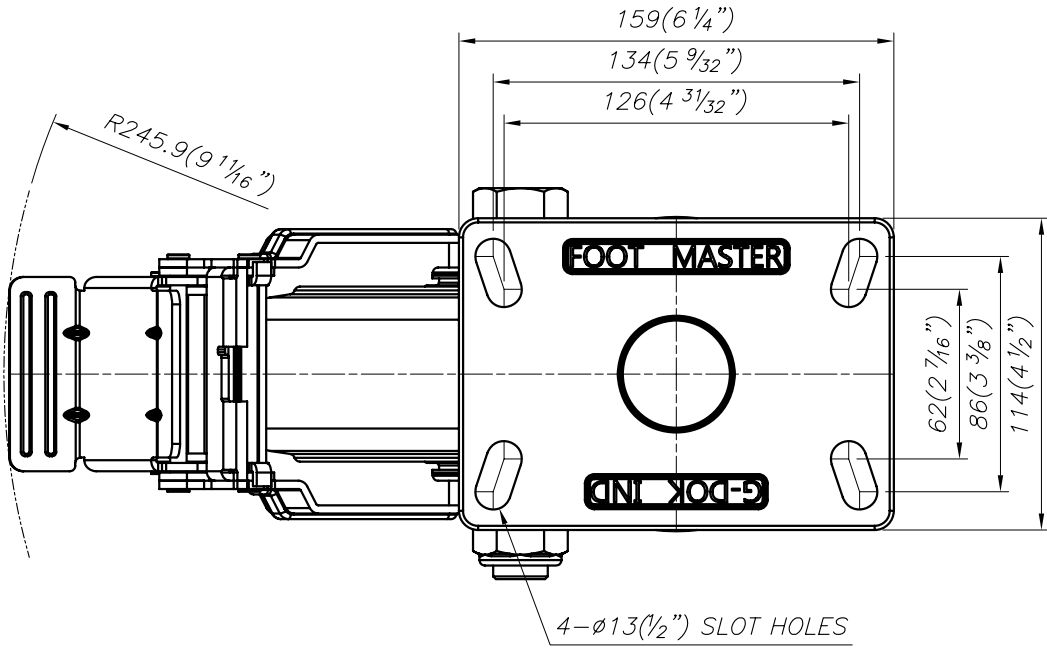
E

F

G

1
2
3
4
5
6
7
8
9
0

1
2
3
4
5
6
7
8
9
0



FOOT MASTER

G-DOK IND.

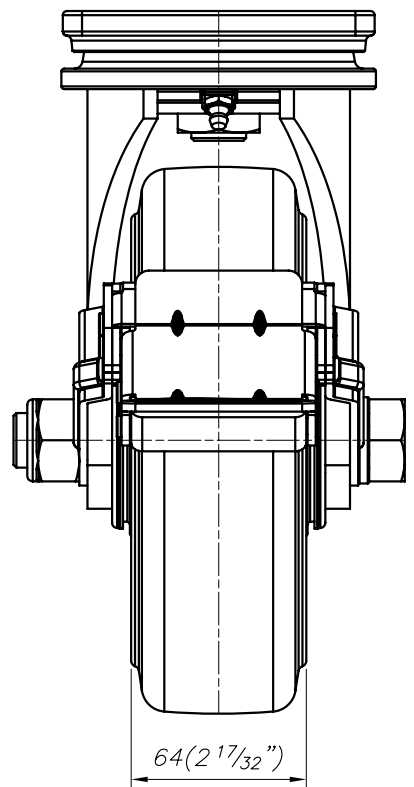
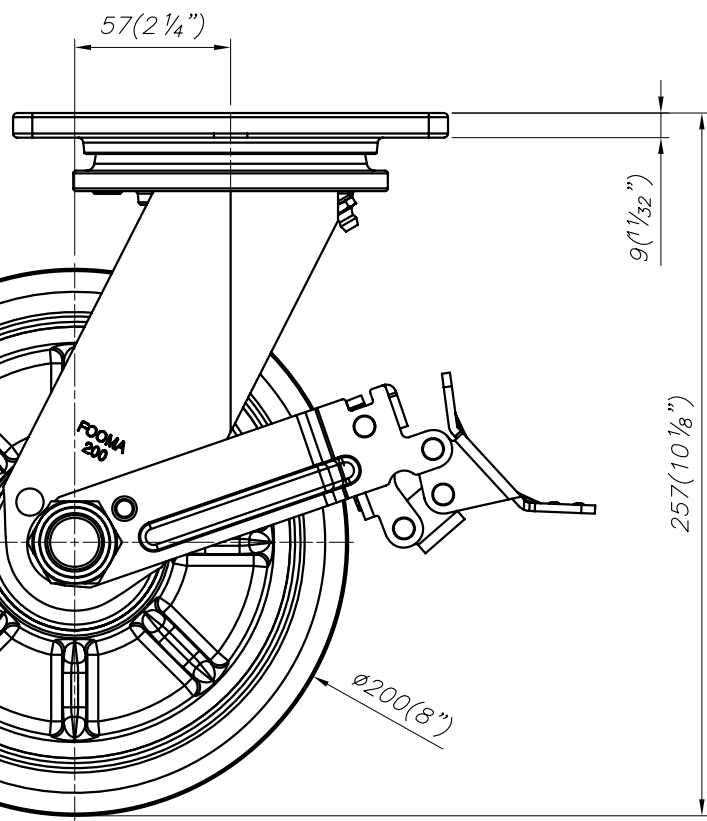
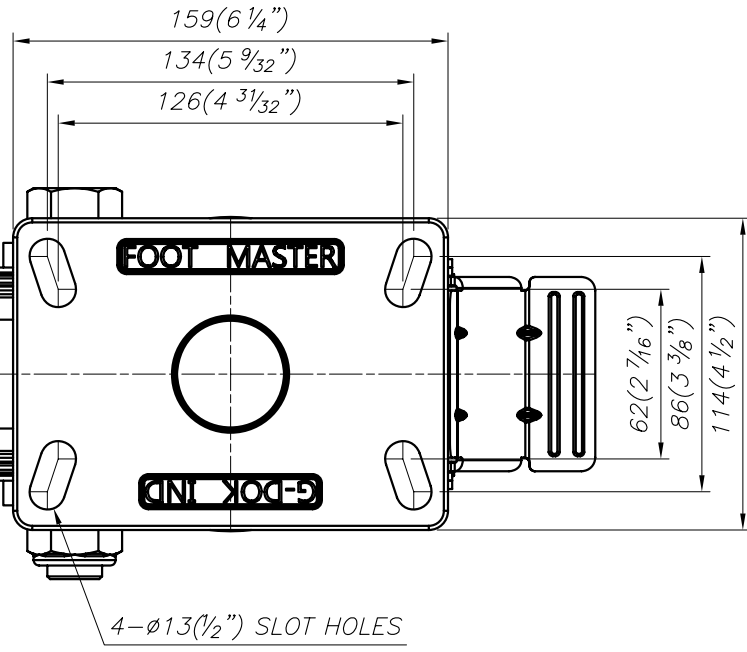
FOOT MASTER

G-DOK IND.

1
2
3
4
5
6
7
8
9
0

1
2
3
4
5
6
7
8
9
0

$R157.5(6\frac{7}{32})$



FOOT MASTER®

FOOMA®

G-DOK IND.

MODEL NAME GF-200-BSF-MUD-FNT

A

B

C

▲

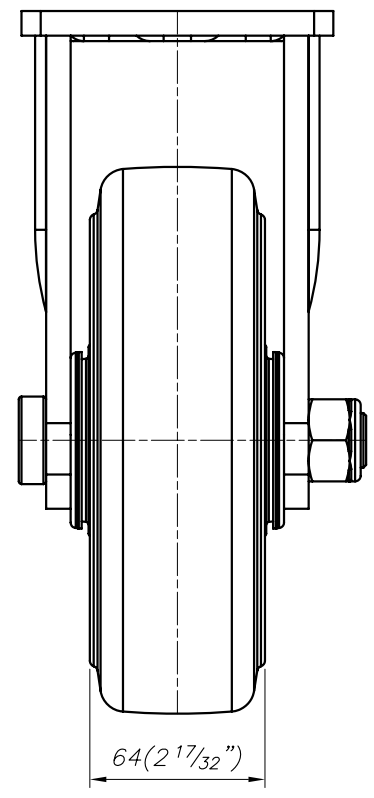
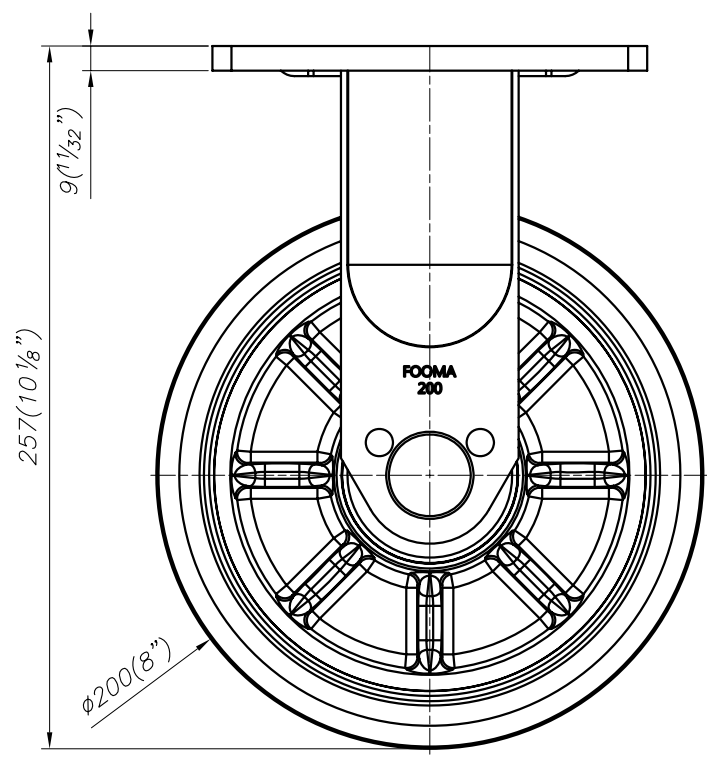
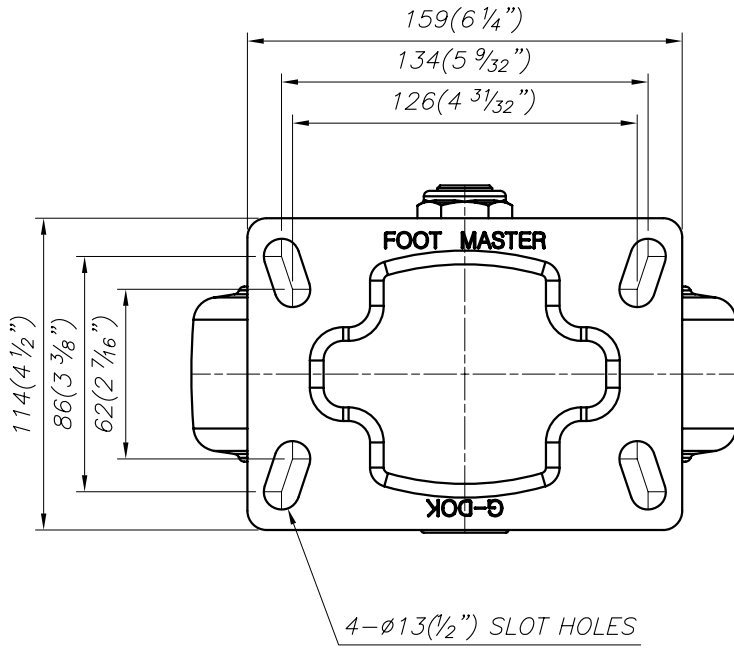
E

F

G

1
2
3
4
5
6
7
8
9
0

1
2
3
4
5
6
7
8
9
0



FOOT MASTER

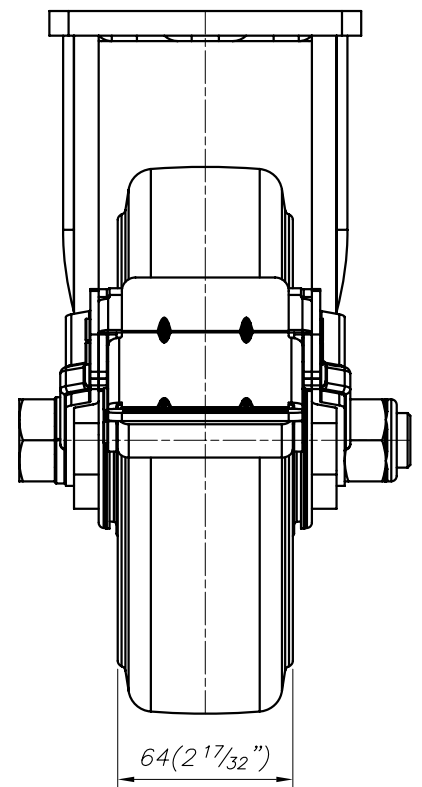
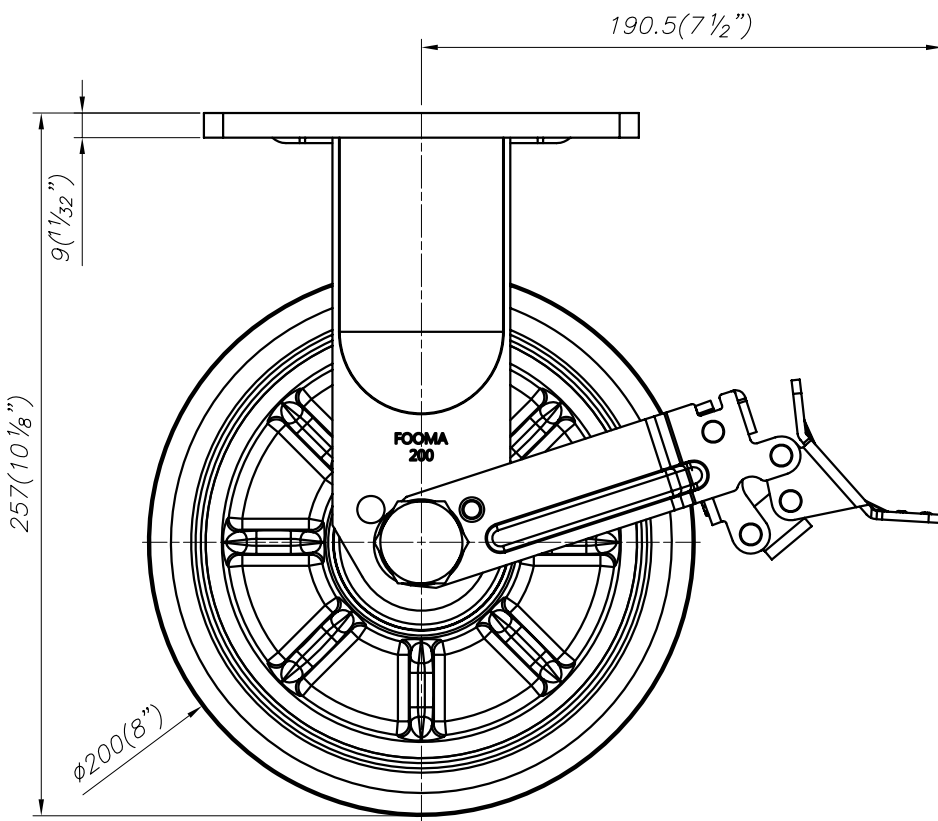
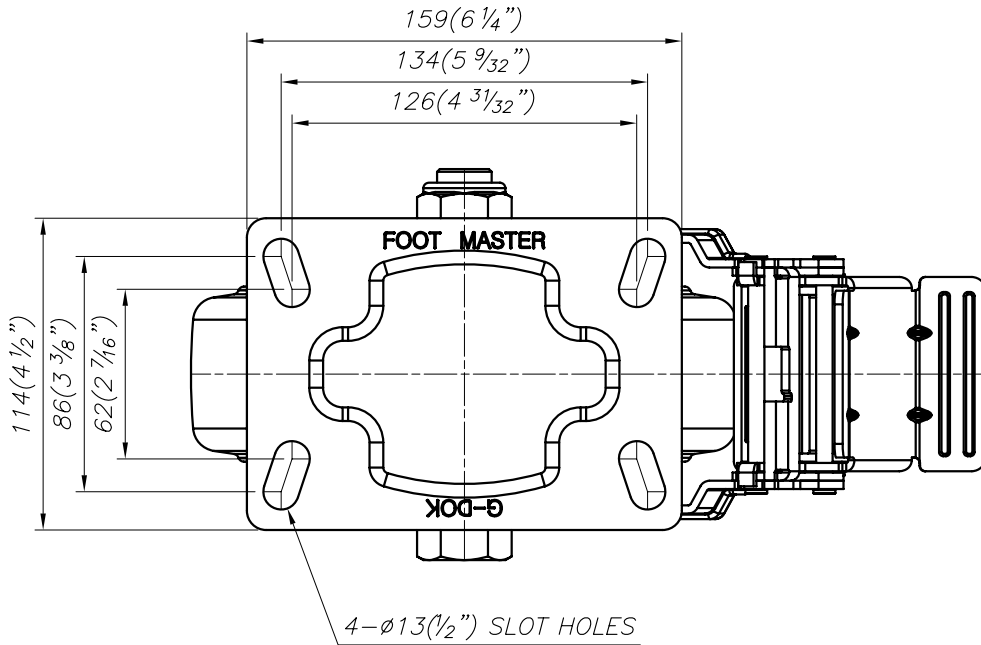
G-DOK IND.

FOOT MASTER

G-DOK IND.

1
2
3
4
5
6
7
8
9
0

1
2
3
4
5
6
7
8
9
0



FOOT MASTER®

FOOMA®

G-DOK IND.

MODEL NAME

GF-200-BRF-MUD

A

B

C

▲

E

F

G