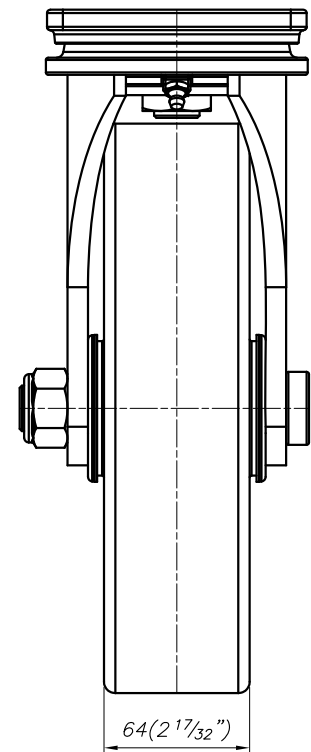
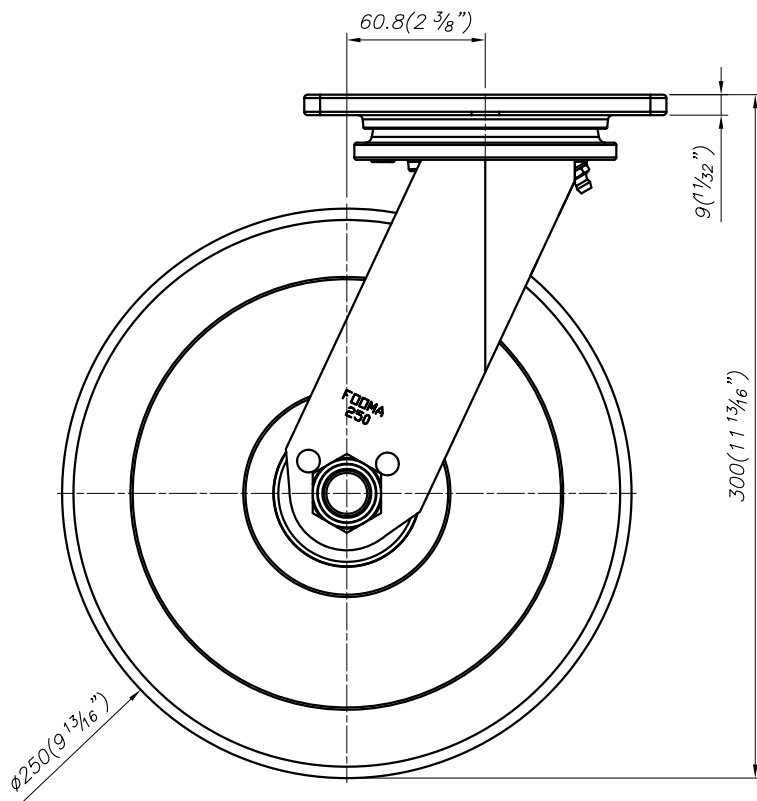
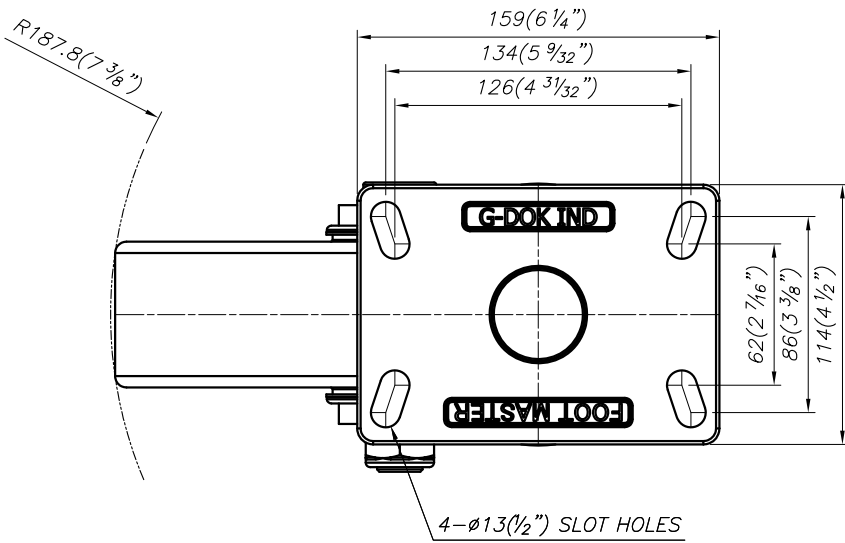
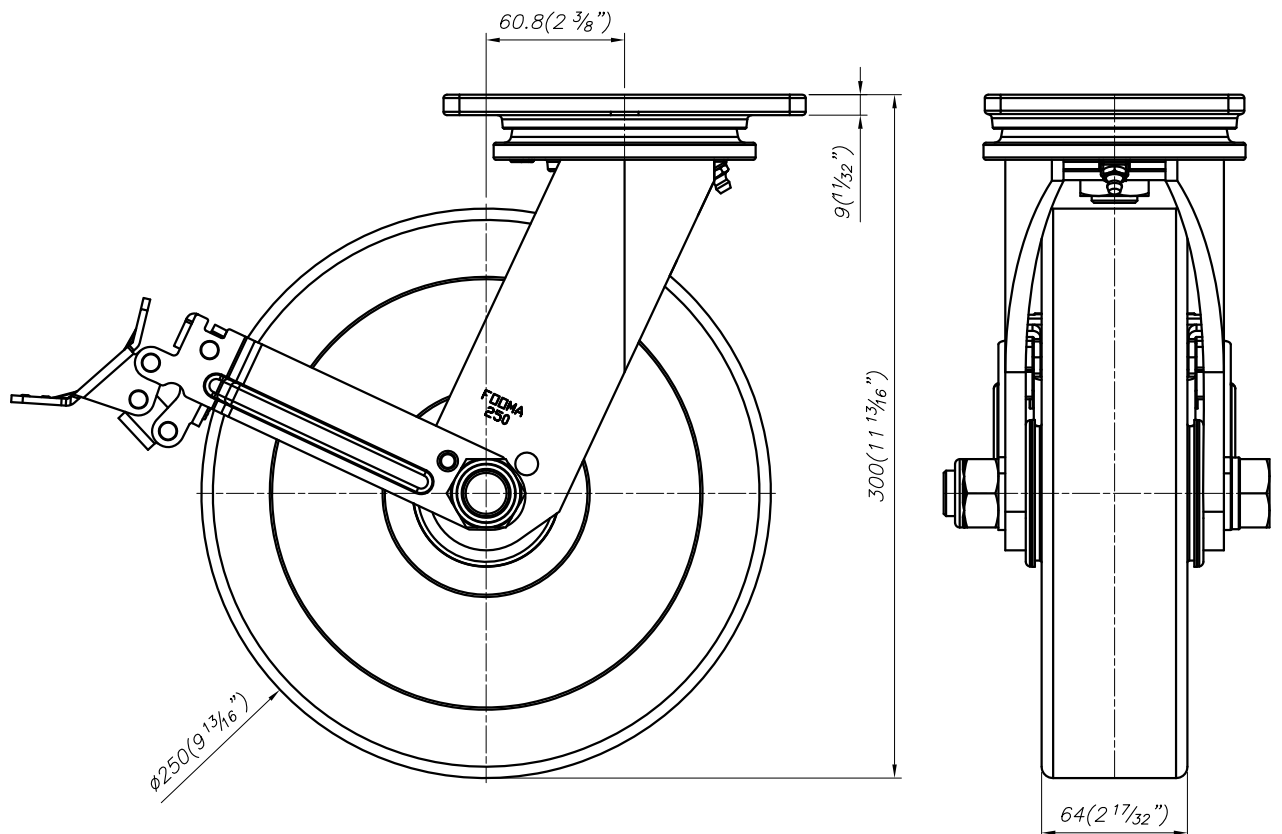
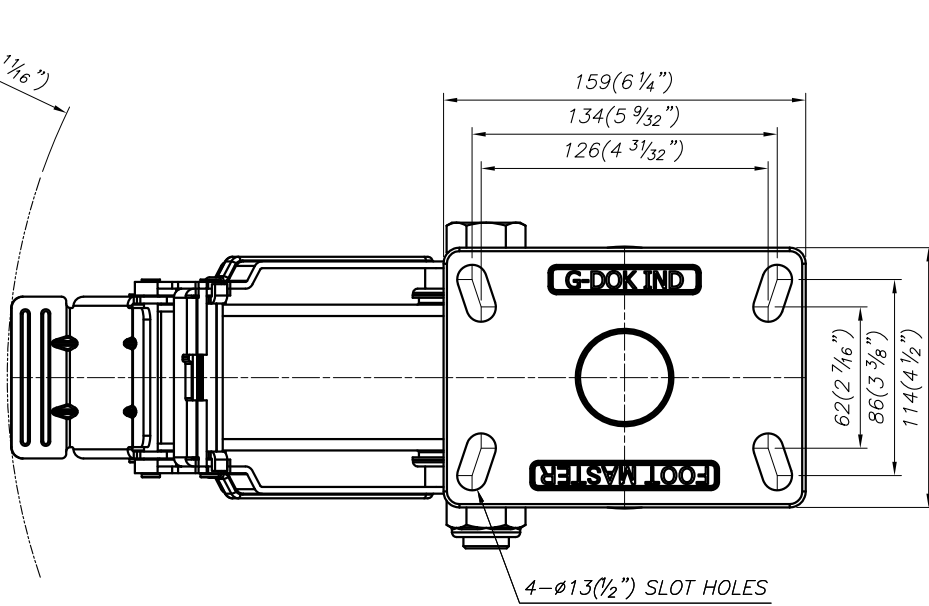


1  
2  
3  
4  
5  
6  
7  
8  
9  
0

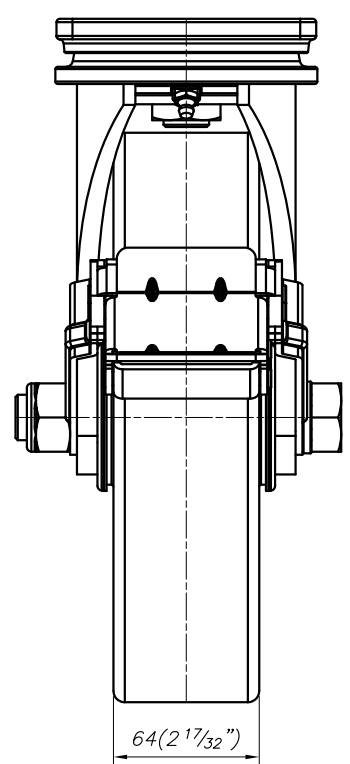
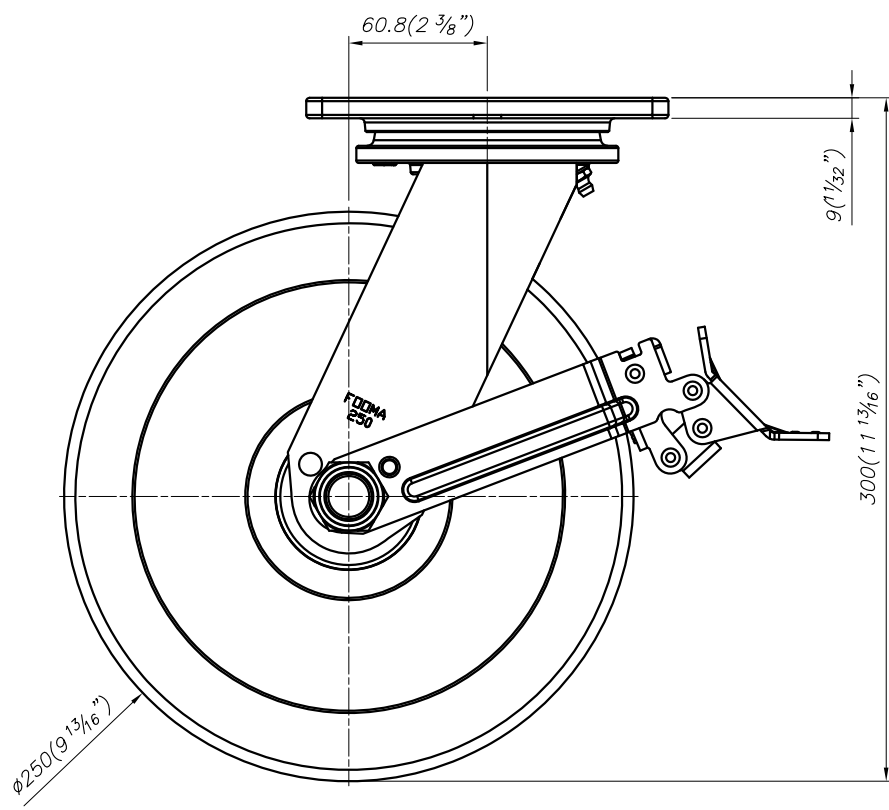
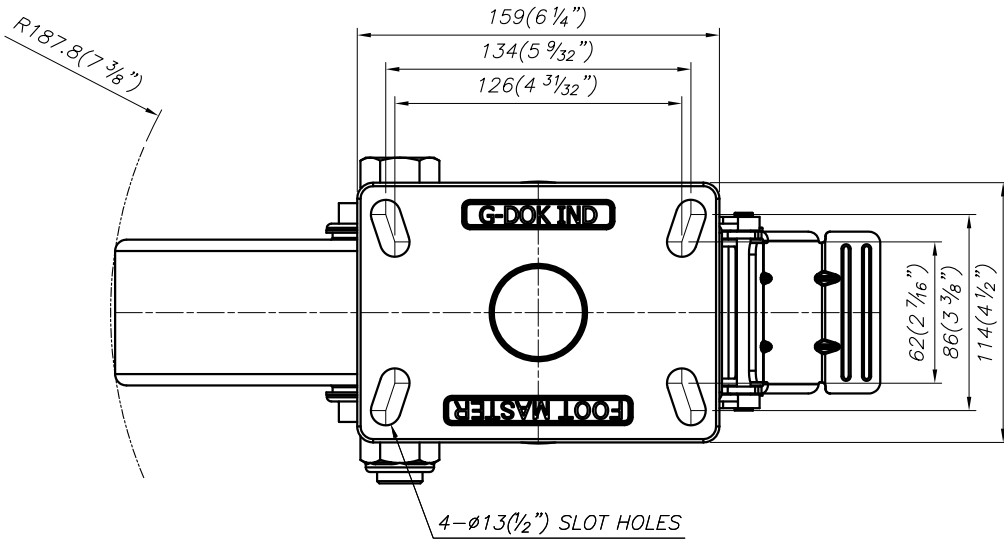
1  
2  
3  
4  
5  
6  
7  
8  
9  
0

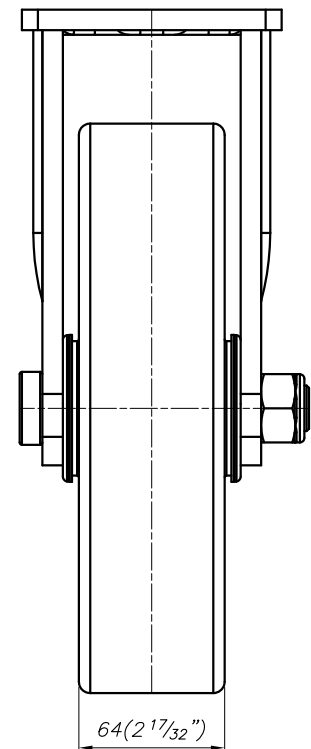
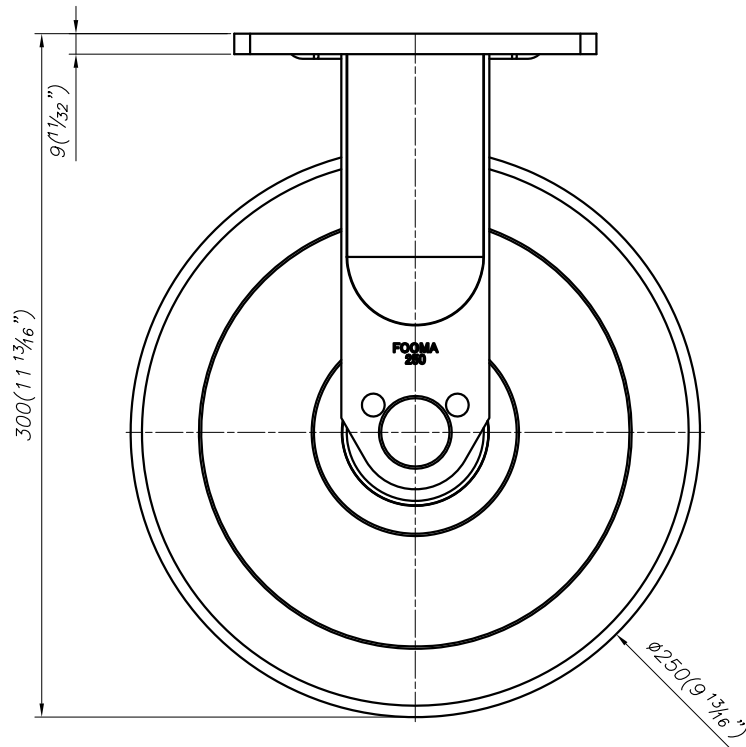
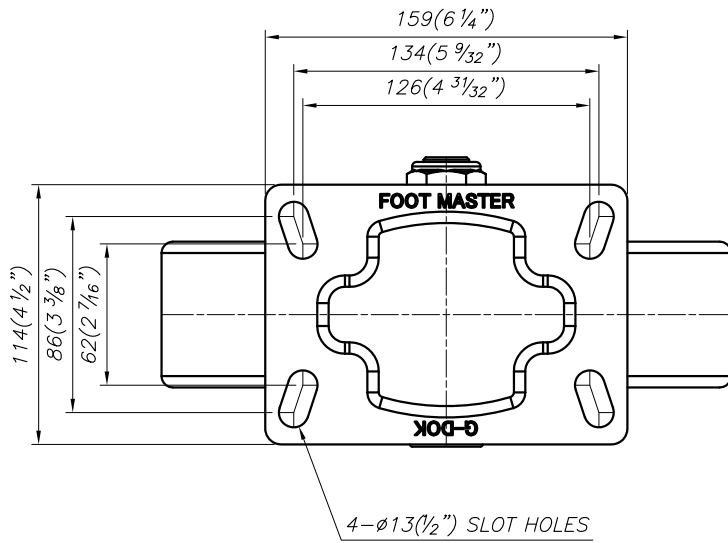




1  
2  
3  
4  
5  
6  
7  
8  
9  
0

1  
2  
3  
4  
5  
6  
7  
8  
9  
0



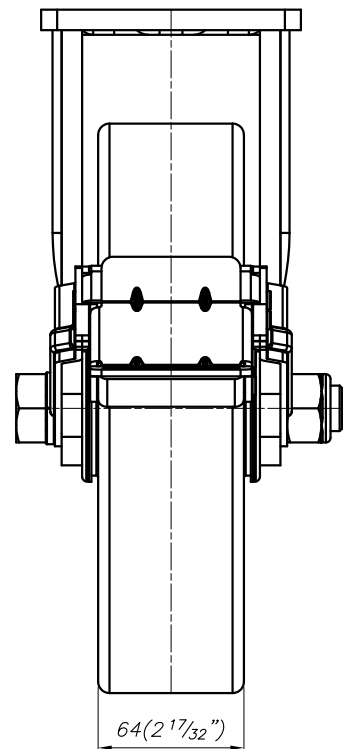
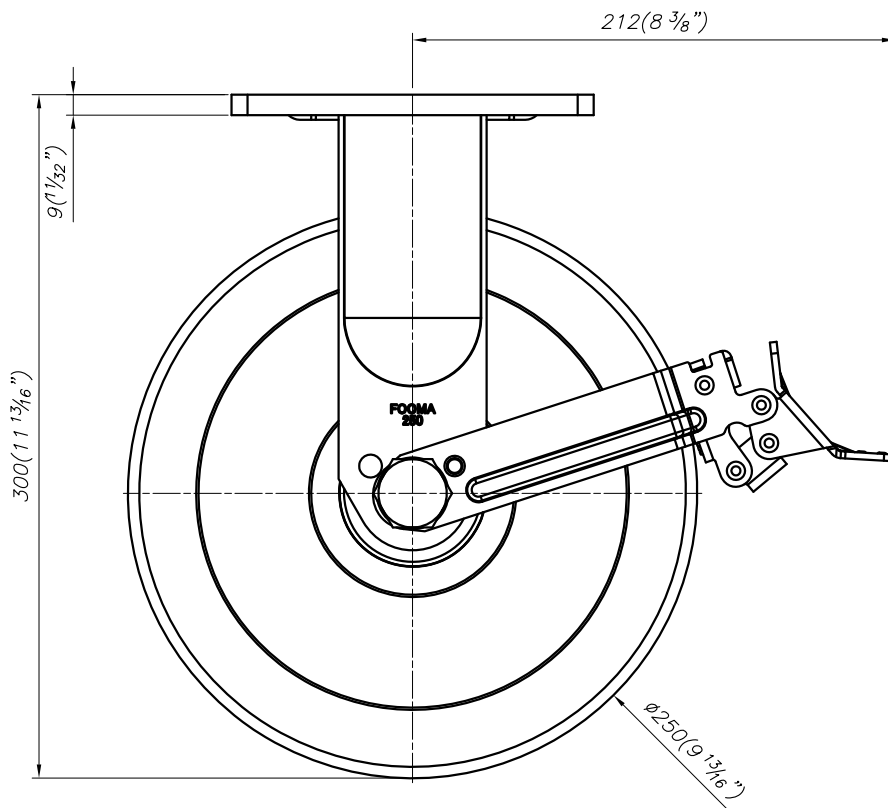
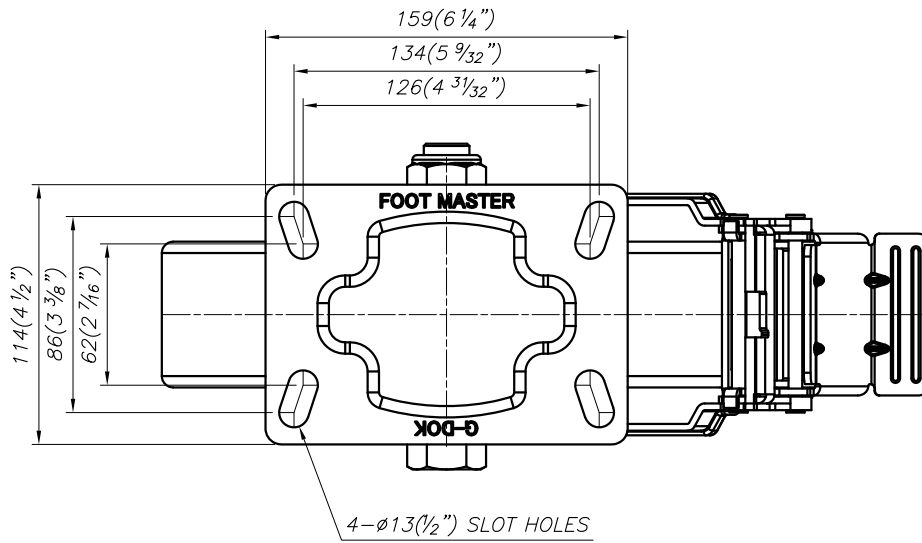


FOOT MASTER

G-DOK IND.

FOOT MASTER

G-DOK IND.



FOOT MASTER<sup>®</sup>

FOOMA<sup>®</sup>

G-DOK IND.

MODEL NAME

GF-250-BRF-MCD

A

B

C

E

F

G