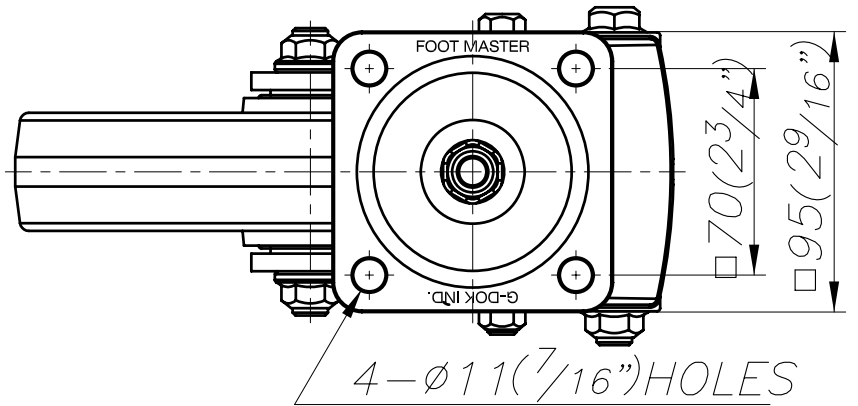


1
2
3
4
5
6
7
8
9
0

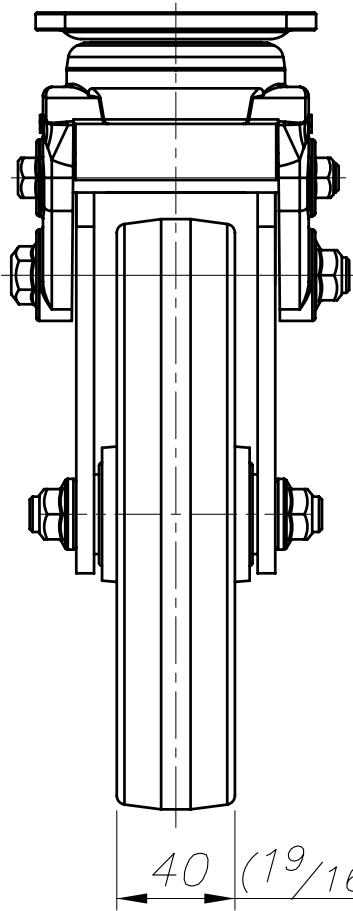
1
2
3
4
5
6
7
8
9
0



4- $\phi 11 (\frac{7}{16})$ HOLES

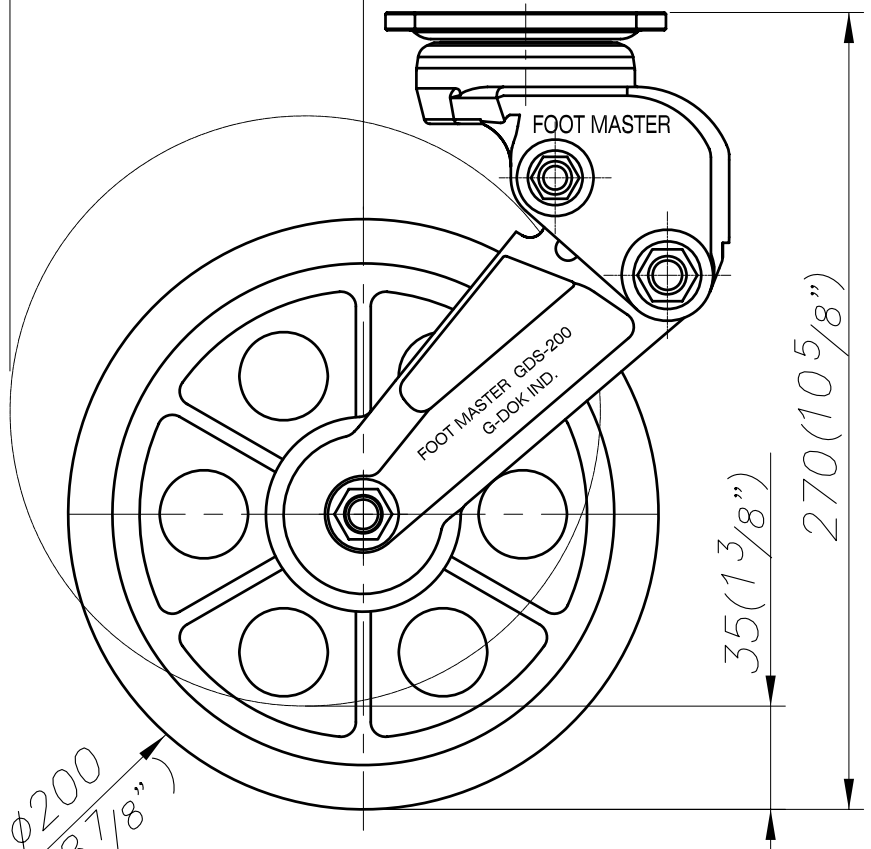
176 ($6\frac{15}{16}$)

55 ($2\frac{5}{32}$)



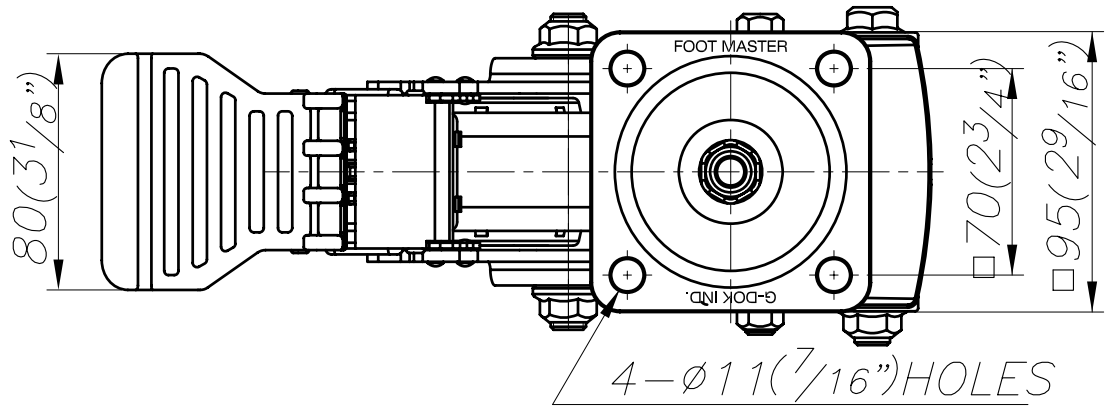
40 ($1\frac{9}{16}$)

$\phi 200$
($8\frac{7}{8}$)



35 ($1\frac{3}{8}$)

270 ($10\frac{5}{8}$)



213 (83/8")

55 (25/32")

